

ZeeWeed* Pressurized Ultrafiltration

FACT SHEET

Model ZW1500

Description and Use

As a pioneer of membrane technology, Veolia leverages decades of research, development, and operational experience in developing one of the most advanced pressurized ultrafiltration technology in the market, ZeeWeed 1500. ZeeWeed systems are proven to consistently outperform conventional filtration technology while meeting or exceeding regulatory requirements, regardless of source water quality.

Typical Applications

Versatile and reliable, the pressurized ZeeWeed 1500 is ideally suited for use in numerous applications including drinking water treatment, tertiary filtration and RO pre-treatment for brackish water and seawater. Compared to granular filter media, ZeeWeed membranes produce superior water quality and are virtually unaffected by variable raw water quality - all at a cost comparable to conventional filtration technology.

General Properties

- 0.02 μm nominal pore diameter - for optimal removal of particulates, bacteria and viruses
- PVDF hollow fiber membrane - provides high mechanical strength and chemical resistance
- Outside-in filtration - provides uniform flow distribution and high solids tolerance



Storage and Handling

Modules may be stored in the original factory packaging for up to 1 year prior to installation. Modules must be stored between 5°C and 35°C (41°F to 95°F). Do not expose the membrane module to sources of heat, ignition, or direct sunlight (UV light).

Product Specifications

Model	ZeeWeed 1500
Nominal Membrane Surface Area	55.7 m ² (600 ft ²)
Max Shipping Weight ¹	37 kg (80 lb)
Lifting Weight ²	30 - 46 kg (65 - 100 lb)
Membrane Material	PVDF
Nominal Pore Size	0.02 micron
Nominal Fiber Diameter	OD: 1.2 mm, ID: 0.66 mm
Flow Path	Outside-In
Housing Material	PVC housing with GRP caps

¹Packaged

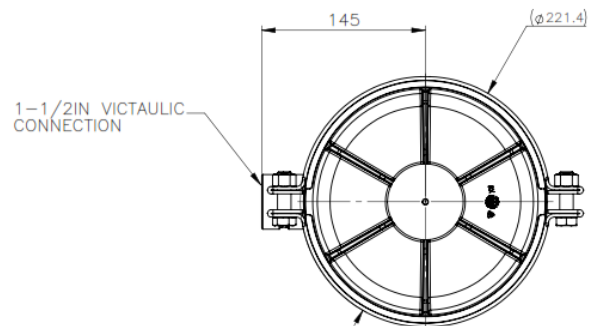
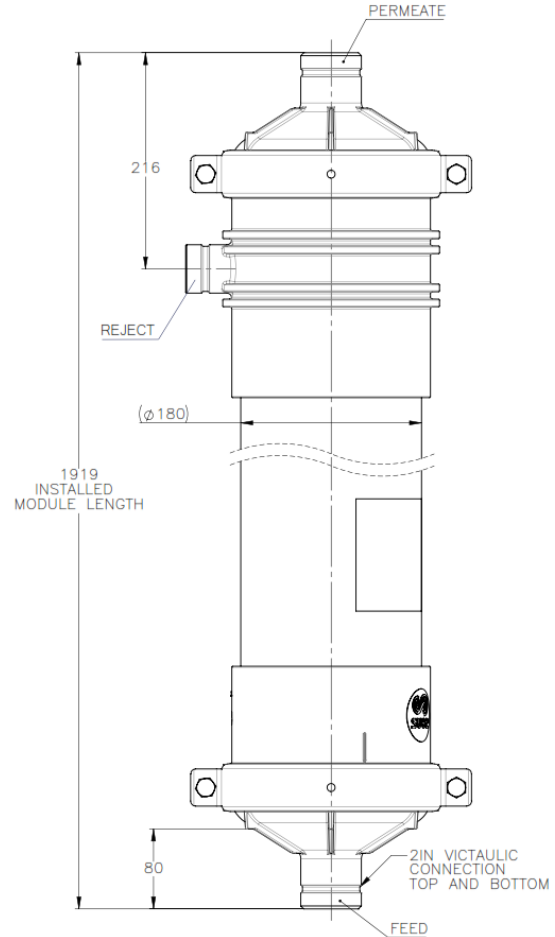
²Varies with solids accumulation

Module Dimensions & Connections	
Height	1919 mm (75.6 in)
Diameter	180 mm (7")
Feed & Permeate	2" (DN50) Victaulic
Reject	1 1/2" (DN40) Victaulic
System Integration	Module Racks

Operating Parameters

Performance	
Flow range	45 - 180 m ³ /day (8 - 33 gpm)
Operating Conditions	
Max shell inlet pressure	379 kPa (55 psi)
TMP range	0 - 276 kPa (0 - 40 psi)
Max temperature	40°C (104°F)
Operating pH	5.0 - 10.0
Air scour flow	5.1 m ³ /h (3 dcfm)
Backwash flow	1.8 m ³ /hr (8 gpm)
Cleaning	
Cleaning pH range	2.0 - 12.0
Max chlorine concentration	1,000 mg/L (as NaOCl) ³

³NOTE: Higher concentrations are possible depending on feedwater and pH.



Veolia Water Technologies

Please contact us via:

www.veoliawatertechnologies.com